

# PCB Supports



## Nylon Supports

304-310



## Metal Supports

311-312

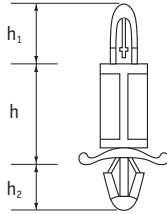


## Locking Supports

SR 2601

Nylon 6.6

- Click-in design
- To suit PCB thickness 1.0-1.8mm
- To suit chassis thickness 0.4-2.0mm

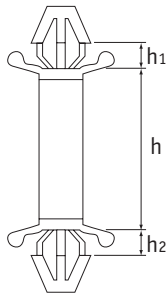


| Part Number  | Dimensions (mm) |     |     |               |         | Std Pack Qty |
|--------------|-----------------|-----|-----|---------------|---------|--------------|
|              | h               | h1  | h2  | Mounting Hole |         |              |
|              |                 |     |     | PCB           | Chassis |              |
| 100035200002 | 6.4             | 9.0 | 8.0 | 4.0           | 4.7     | 100          |
| 100035400002 | 7.9             | 9.0 | 8.0 | 4.0           | 4.7     | 100          |
| 100035600002 | 9.5             | 9.0 | 8.0 | 4.0           | 4.7     | 100          |
| 100035800002 | 11.1            | 9.0 | 8.0 | 4.0           | 4.7     | 100          |
| 100036000002 | 12.7            | 9.0 | 8.0 | 4.0           | 4.7     | 100          |
| 100036200002 | 14.3            | 9.0 | 8.0 | 4.0           | 4.7     | 100          |
| 100036400002 | 15.9            | 9.0 | 8.0 | 4.0           | 4.7     | 100          |
| 100036600002 | 17.5            | 9.0 | 8.0 | 4.0           | 4.7     | 100          |
| 100036800002 | 19.1            | 9.0 | 8.0 | 4.0           | 4.7     | 100          |
| 100037000002 | 20.6            | 9.0 | 8.0 | 4.0           | 4.7     | 100          |
| 100037200002 | 22.2            | 9.0 | 8.0 | 4.0           | 4.7     | 100          |
| 100037400002 | 23.8            | 9.0 | 8.0 | 4.0           | 4.7     | 100          |
| 100037600002 | 25.4            | 9.0 | 8.0 | 4.0           | 4.7     | 100          |
| 100037800002 | 27.0            | 9.0 | 8.0 | 4.0           | 4.7     | 100          |
| 100038000002 | 28.6            | 9.0 | 8.0 | 4.0           | 4.7     | 100          |
| 100038200002 | 30.2            | 9.0 | 8.0 | 4.0           | 4.7     | 100          |

## Double-Locking Supports

SR 2618

Nylon 6.6



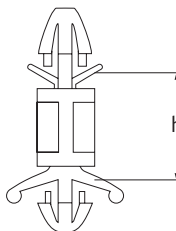
| Part Number | Dimensions (mm) |     |     |               |         | Std Pack Qty |
|-------------|-----------------|-----|-----|---------------|---------|--------------|
|             | h               | h1  | h2  | Mounting Hole |         |              |
|             |                 |     |     | PCB           | Chassis |              |
| 468767      | 4.8             | 2.0 | 2.0 | 4.0           | 4.0     | 100          |
| 468768      | 7.0             | 2.3 | 2.3 | 4.0           | 4.0     | 100          |
| 468769      | 8.8             | 2.4 | 2.4 | 4.0           | 4.0     | 100          |
| 468770      | 10.0            | 2.5 | 2.5 | 4.0           | 4.0     | 100          |
| 468771      | 10.4            | 2.1 | 3.5 | 4.0           | 4.0     | 100          |
| 468772      | 13.1            | 2.4 | 2.4 | 4.0           | 4.0     | 100          |
| 468773      | 16.0            | 2.5 | 2.4 | 4.0           | 4.0     | 100          |
| 468774      | 16.6            | 2.5 | 2.5 | 4.0           | 4.0     | 100          |
| 468775      | 17.2            | 2.5 | 2.5 | 4.0           | 4.0     | 100          |
| 468776      | 19.6            | 2.4 | 3.6 | 4.0           | 4.0     | 100          |
| 468777      | 29.8            | 2.2 | 2.2 | 4.0           | 4.0     | 100          |
| 468778      | 30.9            | 2.1 | 2.1 | 4.0           | 4.0     | 100          |
| 468779      | 34.1            | 2.3 | 3.5 | 4.0           | 4.0     | 100          |
| 468780      | 34.2            | 2.3 | 3.8 | 4.0           | 4.0     | 100          |
| 468781      | 35.9            | 3.8 | 3.8 | 4.0           | 4.0     | 100          |
| 468782      | 35.5            | 4.2 | 4.2 | 4.0           | 4.0     | 100          |
| 468783      | 43.8            | 2.6 | 2.6 | 4.0           | 4.0     | 100          |
| 468784      | 55.3            | 2.4 | 2.4 | 4.0           | 4.0     | 100          |
| 468785      | 56.6            | 2.4 | 2.4 | 4.0           | 4.0     | 100          |

## Miniature Double-Locking Supports

SR 2617

Nylon 6.6

- To suit PCB thickness 1.0 - 1.6 mm;
- To suit chassis thickness 0.8 - 1.6 mm;



| Part Number | Dimensions (mm) |               |         |     | Std Pack Qty |
|-------------|-----------------|---------------|---------|-----|--------------|
|             | h               | Mounting Hole |         |     |              |
|             |                 | PCB           | Chassis |     |              |
| 468758      | 3.0             | 3.5           | 3.5     | 100 |              |
| 468759      | 3.9             | 3.5           | 3.5     | 100 |              |
| 468760      | 5.0             | 3.5           | 3.5     | 100 |              |
| 468761      | 5.4             | 3.5           | 3.5     | 100 |              |
| 468762      | 6.3             | 3.5           | 3.5     | 100 |              |
| 468763      | 6.7             | 3.5           | 3.5     | 100 |              |
| 468764      | 7.0             | 3.5           | 3.5     | 100 |              |
| 468765      | 8.0             | 3.5           | 3.5     | 100 |              |
| 468766      | 8.3             | 3.5           | 3.5     | 100 |              |

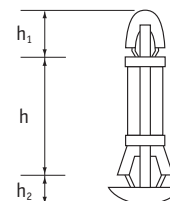
## Domed Supports

SR 2604

Nylon 6.6

- Click-in design
- To suit PCB thickness 1.6mm
- To suit chassis thickness 0.5-1.8mm

| Part Number | Dimensions (mm) |     |     |               |         | Std Pack Qty |
|-------------|-----------------|-----|-----|---------------|---------|--------------|
|             | h               | h1  | h2  | Mounting Hole |         |              |
|             |                 |     |     | PCB           | Chassis |              |
| 463790      | 3.5             | 6.0 | 2.8 | 4.0           | 5.5     | 100          |
| 463791      | 5.0             | 9.0 | 3.3 | 4.0           | 5.5     | 100          |
| 463792      | 6.4             | 9.0 | 3.5 | 4.0           | 5.5     | 100          |
| 463794      | 8.0             | 9.0 | 3.6 | 4.0           | 5.5     | 100          |
| 463796      | 9.6             | 9.0 | 3.8 | 4.0           | 5.5     | 100          |
| 463799      | 12.0            | 9.0 | 3.8 | 4.0           | 5.5     | 100          |
| 463800      | 14.0            | 9.0 | 3.8 | 4.0           | 5.5     | 100          |
| 463801      | 18.0            | 9.0 | 3.8 | 4.0           | 5.5     | 100          |



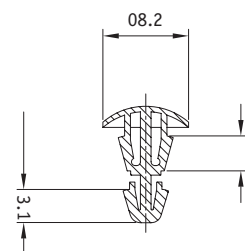
## Miniature Domed Supports

SR 2616

Nylon 6.6

- To suit PCB thickness 1.4 - 1.6mm
- To suit chassis thickness 0.8 - 1.6mm
- Head diameter 8.2mm

| Part Number | h    | Dimensions (mm) |     | Std Pack Qty |
|-------------|------|-----------------|-----|--------------|
|             |      | Mounting Hole   |     |              |
|             |      | Chassis         | PCB |              |
| 468752      | 3.3  | 3.0             | 4.0 | 100          |
| 468753      | 4.0  | 3.0             | 4.0 | 100          |
| 468754      | 6.0  | 3.0             | 4.0 | 100          |
| 468755      | 7.9  | 3.0             | 4.0 | 100          |
| 468756      | 10.0 | 3.0             | 4.0 | 100          |
| 468757      | 12.0 | 3.0             | 4.0 | 100          |

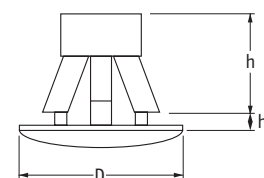


## Domed Spacing Supports

SR 2610

Nylon 6.6

| Part Number | Dimensions (mm) |     |      | Std Pack Qty |
|-------------|-----------------|-----|------|--------------|
|             | h               | h1  | D    |              |
| 468691      | 4.8             | 1.7 | 10.0 | 100          |
| 468692      | 5.0             | 2.4 | 11.6 | 100          |
| 468693      | 6.2             | 2.7 | 10.3 | 100          |
| 468694      | 6.4             | 2.3 | 10.2 | 100          |
| 468695      | 6.9             | 2.0 | 10.6 | 100          |
| 468696      | 8.0             | 1.9 | 9.6  | 100          |
| 468697      | 10.1            | 1.8 | 9.7  | 100          |
| 468698      | 10.2            | 2.4 | 11.5 | 100          |
| 468699      | 12.9            | 2.4 | 10.0 | 100          |
| 468700      | 12.6            | 1.9 | 9.8  | 100          |
| 468701      | 14.0            | 2.3 | 10.0 | 100          |
| 468702      | 15.9            | 2.0 | 9.8  | 100          |

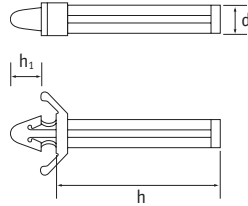


## Spacing Supports

SR 2606

Nylon 6.6

- Click-in and support design
- To suit PCB thickness 1.6mm



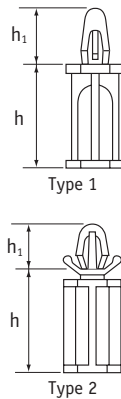
| Part Number | Dimensions (mm) |      |     |                       | Std Pack Qty |
|-------------|-----------------|------|-----|-----------------------|--------------|
|             | d               | h    | h1  | Mounting Hole Chassis |              |
| 463888      | 4.0             | 4.8  | 5.5 | 4.8                   | 100          |
| 463889      | 4.0             | 6.4  | 5.5 | 4.1                   | 100          |
| 463890      | 4.0             | 9.6  | 5.5 | 4.1                   | 100          |
| 463891      | 4.0             | 12.7 | 5.5 | 4.1                   | 100          |
| 463892      | 4.0             | 15.9 | 5.5 | 4.1                   | 100          |
| 463893      | 5.0             | 19.1 | 5.5 | 4.8                   | 100          |
| 463894      | 5.0             | 22.2 | 5.5 | 4.8                   | 100          |
| 463895      | 4.0             | 25.4 | 5.5 | 4.8                   | 100          |
| 463896      | 5.0             | 28.5 | 5.5 | 4.8                   | 100          |
| 463897      | 5.0             | 35.0 | 5.1 | 4.8                   | 100          |

## Screw-Fastened Supports

SR 2603

Nylon 6.6

- Click-in/screw-in design
- To suit PCB thickness 1.0-1.8mm
- Fixing hole for assembly with self-tapping screw (not supplied)



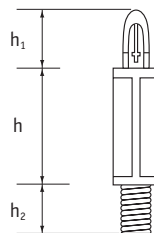
| Part Number  | Dimensions (mm) |     |               |         | Type | Std Pack Qty |
|--------------|-----------------|-----|---------------|---------|------|--------------|
|              | h               | h1  | Mounting Hole |         |      |              |
|              |                 |     | PCB           | Chassis |      |              |
| 463788       | 5.0             | 8.0 | 4.0           | 3.5     | 2    | 100          |
| 100206400002 | 6.4             | 9.0 | 4.0           | 3.5     | 1    | 100          |
| 100209100002 | 9.6             | 8.0 | 4.0           | 3.5     | 2    | 100          |
| 100209500002 | 9.5             | 9.0 | 4.0           | 3.5     | 1    | 100          |
| 100212700002 | 12.7            | 9.0 | 4.0           | 3.5     | 1    | 100          |
| 100213100002 | 12.7            | 8.0 | 4.0           | 3.5     | 2    | 100          |
| 100215900002 | 15.9            | 9.0 | 4.0           | 3.5     | 1    | 100          |
| 100219100002 | 19.1            | 8.0 | 4.0           | 3.5     | 2    | 100          |
| 100219200002 | 19.1            | 9.0 | 4.0           | 3.5     | 1    | 100          |
| 100222200002 | 22.2            | 9.0 | 4.0           | 3.5     | 1    | 100          |
| 100225400002 | 25.4            | 9.0 | 4.0           | 3.5     | 1    | 100          |
| 100228600002 | 28.6            | 9.0 | 4.0           | 3.5     | 1    | 100          |
| 100229100002 | 28.5            | 8.0 | 4.0           | 3.5     | 2    | 100          |
| 463789       | 35.0            | 8.0 | 4.0           | 3.5     | 2    | 100          |

## Screw & Locking Supports

SR 2602

Nylon 6.6

- Click-in/ M4 screw-in design
- Nut not included
- To suit PCB thickness 1.0-1.8mm
- To suit chassis thickness 0.5-3.0mm



| Part Number  | Dimensions (mm) |     |     |               |         | Std Pack Qty |
|--------------|-----------------|-----|-----|---------------|---------|--------------|
|              | h               | h1  | h2  | Mounting Hole |         |              |
|              |                 |     |     | PCB           | Chassis |              |
| 100104800002 | 4.8             | 9.0 | 6.4 | 4.0           | 4.2     | 100          |
| 100106100002 | 6.0             | 9.0 | 6.4 | 4.0           | 4.2     | 100          |
| 100106400002 | 6.4             | 9.0 | 6.4 | 4.0           | 4.2     | 100          |
| 100107900002 | 7.9             | 9.0 | 6.4 | 4.0           | 4.2     | 100          |
| 100109500002 | 9.5             | 9.0 | 6.4 | 4.0           | 4.2     | 100          |
| 100111100002 | 11.1            | 9.0 | 6.4 | 4.0           | 4.2     | 100          |
| 100112700002 | 12.7            | 9.0 | 6.4 | 4.0           | 4.2     | 100          |
| 100114300002 | 14.3            | 9.0 | 6.4 | 4.0           | 4.2     | 100          |
| 100115900002 | 15.9            | 9.0 | 6.4 | 4.0           | 4.2     | 100          |
| 100117500002 | 17.5            | 9.0 | 6.4 | 4.0           | 4.2     | 100          |
| 100119100002 | 19.1            | 9.0 | 6.4 | 4.0           | 4.2     | 100          |
| 100120600002 | 20.6            | 9.0 | 6.4 | 4.0           | 4.2     | 100          |
| 100122200002 | 22.2            | 9.0 | 6.4 | 4.0           | 4.2     | 100          |
| 100123800002 | 23.8            | 9.0 | 6.4 | 4.0           | 4.2     | 100          |
| 100125400002 | 25.4            | 9.0 | 6.4 | 4.0           | 4.2     | 100          |
| 100127000002 | 27.0            | 9.0 | 6.4 | 4.0           | 4.2     | 100          |
| 100128600002 | 28.6            | 9.0 | 6.4 | 4.0           | 4.2     | 100          |

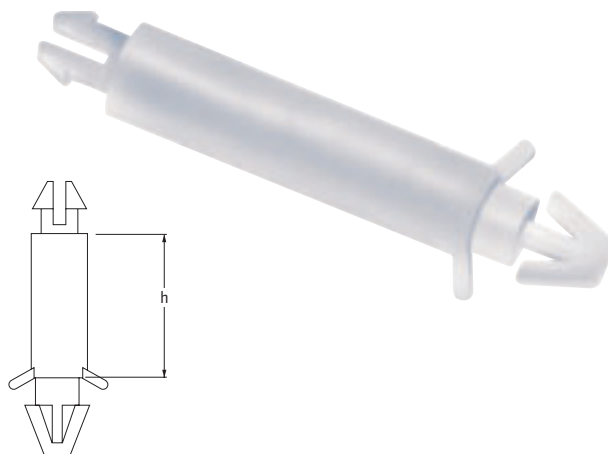
## Click-in Supports

SR 2611

Nylon 6.6

- To suit PCB thickness 2mm

| Part Number | Dimensions (mm) |               |         | Std Pack Qty |
|-------------|-----------------|---------------|---------|--------------|
|             | h               | Mounting Hole |         |              |
|             |                 | PCB           | Chassis |              |
| 468703      | 5.0             | 2.5           | 3.0     | 100          |
| 468704      | 7.6             | 2.5           | 3.0     | 100          |
| 468705      | 8.9             | 2.5           | 3.0     | 100          |
| 468706      | 9.9             | 2.5           | 3.0     | 100          |
| 468707      | 11.6            | 2.5           | 3.0     | 100          |
| 468708      | 13.6            | 2.5           | 3.0     | 100          |
| 468709      | 15.7            | 2.5           | 3.0     | 100          |

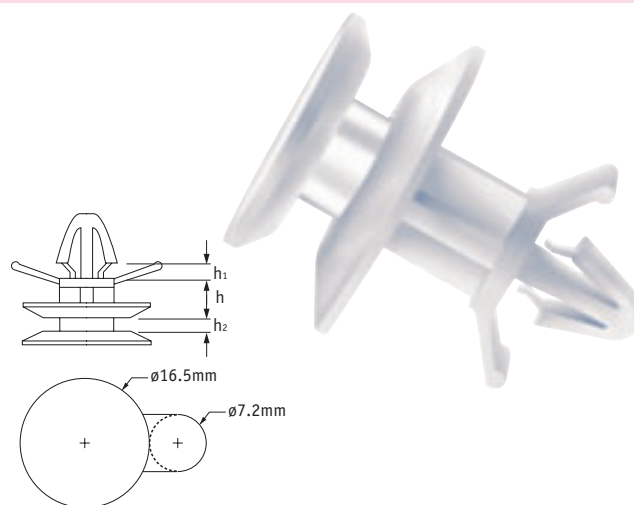


## Clip-in Supports

SR 2607

Nylon 6.6

| Part Number | Dimensions (mm) |          |          |                   | Std Pack Qty |
|-------------|-----------------|----------|----------|-------------------|--------------|
|             | h               | h1 (max) | h2 (max) | Mounting Hole PCB |              |
| 468680      | 4.5             | 2.6      | 2.7      | 4.5               | 100          |
| 468681      | 6.0             | 2.2      | 2.1      | 6.0               | 100          |
| 468682      | 8.6             | 2.2      | 2.0      | 4.5               | 100          |
| 468683      | 8.6             | 5.0      | 2.8      | 6.0               | 100          |
| 468684      | 9.5             | 2.3      | 2.7      | 6.0               | 100          |
| 468685      | 11.0            | 2.6      | 2.6      | 4.5               | 100          |
| 468686      | 11.1            | 2.7      | 2.8      | 4.5               | 100          |
| 468687      | 12.1            | 2.2      | 2.8      | 4.5               | 100          |
| 468688      | 12.1            | 2.6      | 2.7      | 4.5               | 100          |
| 468689      | 13.3            | 2.2      | 2.1      | 4.5               | 100          |
| 468690      | 14.0            | 2.3      | 2.8      | 4.5               | 100          |



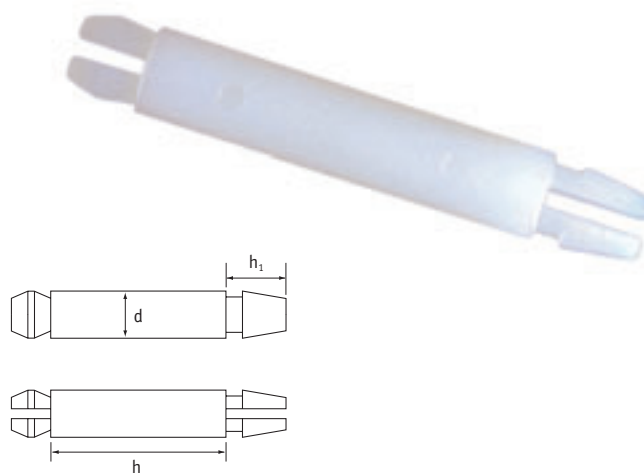
## Miniature Supports

SR 2605

Nylon 6.6

- Click-in design
- To suit PCB/chassis thickness 1.6mm

| Part Number | Dimensions (mm) |      |     |               |         | Std Pack Qty |
|-------------|-----------------|------|-----|---------------|---------|--------------|
|             | d               | h    | h1  | Mounting Hole |         |              |
|             |                 |      |     | PCB           | Chassis |              |
| 463802      | 4.8             | 3.2  | 3.8 | 3.8           | 3.8     | 100          |
| 463803      | 4.8             | 6.3  | 3.8 | 3.8           | 3.8     | 100          |
| 463804      | 4.8             | 8.0  | 3.8 | 3.8           | 3.8     | 100          |
| 463805      | 4.8             | 10.5 | 3.8 | 3.8           | 3.8     | 100          |
| 463806      | 4.8             | 12.7 | 5.6 | 3.8           | 3.8     | 100          |
| 463807      | 4.8             | 16.6 | 5.6 | 3.8           | 3.8     | 100          |
| 463808      | 4.8             | 16.5 | 5.6 | 3.8           | 3.8     | 100          |
| 463809      | 4.8             | 19.1 | 5.6 | 3.8           | 3.8     | 100          |
| 463810      | 4.8             | 22.2 | 5.6 | 3.8           | 3.8     | 100          |
| 463811      | 4.8             | 25.4 | 5.6 | 3.8           | 3.8     | 100          |

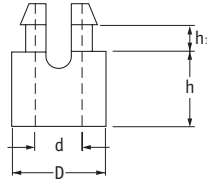


## Snap-in Supports

SR 2614

Nylon 6.6

- To suit max chassis thickness 1.7mm



| Part Number | Dimensions (mm) |     |     |          | Mounting Hole | Std Pack Qty |
|-------------|-----------------|-----|-----|----------|---------------|--------------|
|             | h               | d   | D   | h1 (max) |               |              |
| 468723      | 2.5             | 2.7 | 5.5 | 1.7      | 4.0           | 100          |
| 468724      | 2.7             | 3.2 | 6.4 | 1.7      | 4.0           | 100          |
| 468725      | 3.0             | 2.7 | 5.5 | 1.7      | 4.0           | 100          |
| 468726      | 3.1             | 3.2 | 6.4 | 1.7      | 4.0           | 100          |
| 468727      | 3.5             | 3.2 | 6.4 | 1.7      | 4.0           | 100          |
| 468728      | 4.0             | 3.2 | 6.6 | 1.7      | 3.6           | 100          |
| 468729      | 4.1             | 2.7 | 5.5 | 1.7      | 4.8           | 100          |
| 468730      | 5.0             | 2.7 | 5.5 | 1.7      | 4.0           | 100          |
| 468731      | 5.0             | 3.1 | 6.4 | 1.7      | 4.8           | 100          |
| 468732      | 6.1             | 2.7 | 5.5 | 1.7      | 4.8           | 100          |
| 468733      | 6.1             | 3.2 | 6.5 | 1.7      | 4.8           | 100          |
| 468734      | 6.3             | 3.2 | 4.6 | 1.1      | 4.8           | 100          |
| 468735      | 6.5             | 3.2 | 6.4 | 1.7      | 4.8           | 100          |
| 468736      | 6.5             | 3.9 | 6.9 | 1.7      | 4.8           | 100          |
| 468737      | 7.7             | 3.1 | 6.4 | 1.7      | 4.8           | 100          |
| 468738      | 8.0             | 3.1 | 6.5 | 1.7      | 4.8           | 100          |
| 468739      | 9.0             | 3.1 | 6.5 | 1.7      | 4.8           | 100          |
| 468741      | 10.5            | 3.1 | 6.4 | 1.7      | 4.8           | 100          |
| 468742      | 12.1            | 3.9 | 6.9 | 1.7      | 4.8           | 100          |
| 468743      | 12.7            | 3.2 | 6.5 | 1.7      | 4.8           | 100          |
| 468744      | 12.8            | 3.9 | 6.8 | 1.7      | 6.0           | 100          |
| 468745      | 14.2            | 3.2 | 6.5 | 1.7      | 6.0           | 100          |

## Edge-Holder Supports

SR 2615

Nylon 6.6

- To suit PCB thickness 0.8 - 2.0mm
- Maximum chassis thickness 2.0mm



| Part Number | Dimensions (mm) |          |     |     | Mounting Hole |     | Std Pack Qty |
|-------------|-----------------|----------|-----|-----|---------------|-----|--------------|
|             | h (max)         | h1 (max) | d   | PCB | Chassis       |     |              |
|             |                 |          |     | 5.0 | 4.0           |     |              |
| 468747      | 9.0             | 7.2      | 5.5 | 5.0 | 4.0           | 100 |              |
| 468748      | 11.8            | 7.2      | 5.5 | 5.0 | 4.0           | 100 |              |
| 468749      | 14.9            | 7.3      | 5.5 | 5.0 | 4.0           | 100 |              |
| 468750      | 17.0            | 7.3      | 5.5 | 5.0 | 4.0           | 100 |              |
| 468751      | 26.0            | 14.8     | 6.4 | 6.0 | 5.0           | 100 |              |



**Free Samples**  
Same day despatch

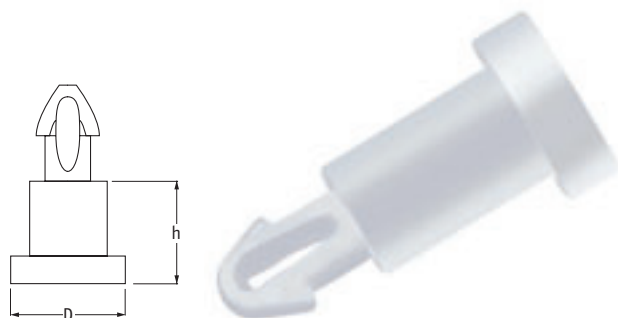
To order call 0845 7585070  
or visit [www.mossexpress.co.uk](http://www.mossexpress.co.uk)

## Flat Supports

SR 2612

Nylon 6.6

- To suit PCB thickness 1.6mm



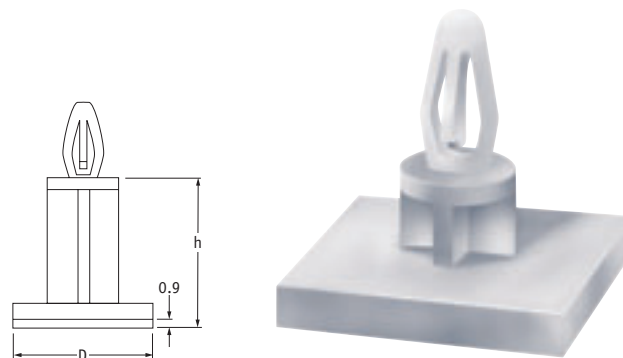
| Part Number | Dimensions (mm) |     |                   | Std Pack Qty |
|-------------|-----------------|-----|-------------------|--------------|
|             | h               | D   | Mounting Hole PCB |              |
| 468710      | 1.5             | 4.8 | 2.7               | 100          |
| 468711      | 2.0             | 4.2 | 2.7               | 100          |
| 468712      | 3.0             | 4.2 | 2.7               | 100          |
| 468713      | 4.0             | 3.0 | 2.0               | 100          |
| 468714      | 5.0             | 4.8 | 2.7               | 100          |
| 468715      | 6.6             | 4.8 | 2.7               | 100          |

## Adhesive Supports

SR 2613

Nylon 6.6

- To suit PCB thickness 1.2 - 1.7mm



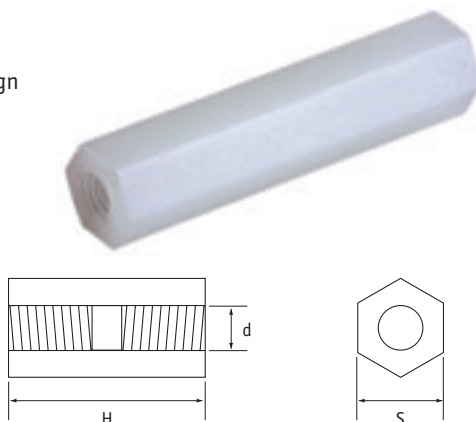
| Part Number | Dimensions (mm) |      |                   | Std Pack Qty |
|-------------|-----------------|------|-------------------|--------------|
|             | h               | D    | Mounting Hole PCB |              |
| 468716      | 6.4             | 18.0 | 4.0               | 100          |
| 468717      | 8.2             | 18.0 | 4.0               | 100          |
| 468718      | 9.4             | 18.1 | 4.0               | 100          |
| 468719      | 12.8            | 18.0 | 4.0               | 100          |
| 468720      | 16.7            | 20.0 | 4.0               | 100          |
| 468721      | 19.3            | 17.9 | 4.0               | 100          |
| 468722      | 22.4            | 18.0 | 4.0               | 100          |

## Hexagonal Female/Female Supports

SR 2609

Nylon 6.6

- Screw-in design



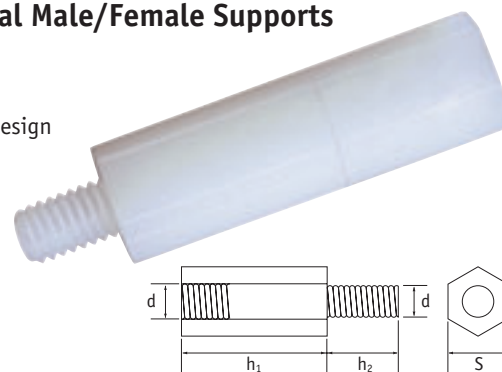
| Part Number | Dimensions (mm) |    |     | Std Pack Qty |
|-------------|-----------------|----|-----|--------------|
|             | H               | d  | S   |              |
| 463899      | 6.0             | M3 | 5.7 | 100          |
| 463828      | 8.0             | M3 | 5.7 | 100          |
| 463829      | 10.0            | M3 | 5.7 | 100          |
| 463830      | 12.7            | M3 | 5.7 | 100          |
| 463831      | 15.0            | M3 | 5.7 | 100          |
| 463832      | 18.0            | M3 | 5.7 | 100          |
| 463833      | 20.0            | M3 | 5.7 | 100          |
| 463834      | 22.0            | M3 | 5.7 | 100          |
| 463835      | 25.0            | M3 | 5.7 | 100          |
| 463836      | 30.0            | M3 | 5.7 | 100          |

## Hexagonal Male/Female Supports

SR 2608

Nylon 6.6

- Screw-in design



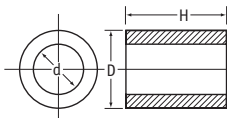
| Part Number | Dimensions (mm) |      |     |     | Std Pack Qty |
|-------------|-----------------|------|-----|-----|--------------|
|             | d               | h1   | h2  | S   |              |
| 463813      | M3              | 6.0  | 5.6 | 5.5 | 100          |
| 463814      | M3              | 8.0  | 5.6 | 5.5 | 100          |
| 463815      | M3              | 10.0 | 6.2 | 5.5 | 100          |
| 463816      | M3              | 12.7 | 5.6 | 5.5 | 100          |
| 463817      | M3              | 15.0 | 5.6 | 5.5 | 100          |
| 463818      | M3              | 18.0 | 6.1 | 5.5 | 100          |
| 463819      | M3              | 20.0 | 6.0 | 5.5 | 100          |
| 463820      | M3              | 22.0 | 6.3 | 5.5 | 100          |
| 463821      | M3              | 25.0 | 5.6 | 5.5 | 100          |
| 463822      | M3              | 30.0 | 6.0 | 5.5 | 100          |
| 463823      | M4              | 10.1 | 6.1 | 7.0 | 100          |
| 463824      | M4              | 13.0 | 6.3 | 7.0 | 100          |
| 463825      | M4              | 15.0 | 6.3 | 7.0 | 100          |
| 463826      | M4              | 19.0 | 6.4 | 7.0 | 100          |
| 463827      | M4              | 25.0 | 6.1 | 7.0 | 100          |

## Spacers

SR 1941

Natural Nylon 6.6

- Cost-effective alternative to metal
- Absorb shock and vibration
- Range covers most diameters



| Part Number   | Dimensions (mm) |     |      | Std Pack Qty |
|---------------|-----------------|-----|------|--------------|
|               | d               | D   | H    |              |
| 1113430000VR  | 2.5             | 5.0 | 8.0  | 1000         |
| 005206000005* | 2.6             | 4.0 | 5.0  | 1000         |
| 005209000005* | 2.6             | 4.0 | 7.5  | 1000         |
| 005212000005* | 2.6             | 4.0 | 10.0 | 1000         |
| 005215000005* | 2.6             | 4.0 | 15.0 | 1000         |
| 005218000005* | 2.6             | 4.0 | 20.0 | 1000         |
| 005221000005* | 2.6             | 4.0 | 25.0 | 1000         |
| 005224000005* | 2.6             | 4.0 | 30.0 | 1000         |
| 005243000005* | 2.6             | 5.0 | 5.0  | 1000         |
| 005246000005* | 2.6             | 5.0 | 7.5  | 1000         |
| 005249000005* | 2.6             | 5.0 | 10.0 | 1000         |
| 005252000005* | 2.6             | 5.0 | 15.0 | 1000         |
| 005255000005* | 2.6             | 5.0 | 20.0 | 1000         |
| 005258000005* | 2.6             | 5.0 | 25.0 | 1000         |
| 005261000005* | 2.6             | 5.0 | 25.0 | 1000         |
| 005311000002  | 3.1             | 6.0 | 2.0  | 1000         |
| 005314000002  | 3.1             | 6.0 | 3.0  | 1000         |
| 005315500002  | 3.1             | 6.0 | 4.0  | 1000         |
| 1110760000VR  | 3.1             | 6.0 | 5.0  | 1000         |
| 005318200002  | 3.1             | 6.0 | 6.0  | 1000         |
| 1110770000VR  | 3.1             | 6.0 | 7.5  | 1000         |
| 005320600002  | 3.1             | 6.0 | 8.0  | 1000         |
| 1112230000VR  | 3.1             | 6.0 | 10.0 | 1000         |
| 005324200002  | 3.1             | 6.0 | 12.0 | 1000         |
| 1110780000VR  | 3.1             | 6.0 | 15.0 | 1000         |
| 005327800002  | 3.1             | 6.0 | 18.0 | 500          |
| 1112240000VR  | 3.1             | 6.0 | 20.0 | 1000         |
| 1112320000VR  | 3.1             | 6.0 | 25.0 | 1000         |
| 1112120000VR  | 3.1             | 6.0 | 30.0 | 1000         |
| 005348000002  | 3.1             | 8.0 | 3.0  | 500          |
| 005351000002  | 3.1             | 8.0 | 5.0  | 500          |
| 005354000002  | 3.1             | 8.0 | 7.5  | 500          |
| 005357000002  | 3.1             | 8.0 | 10.0 | 500          |
| 005360000002  | 3.1             | 8.0 | 15.0 | 500          |
| 005363000002  | 3.1             | 8.0 | 20.0 | 500          |
| 005366000002  | 3.1             | 8.0 | 25.0 | 500          |
| 005371200002  | 3.4             | 6.0 | 2.0  | 500          |
| 005371400002  | 3.4             | 6.0 | 3.0  | 500          |
| 005371600002  | 3.4             | 6.0 | 4.0  | 500          |
| 005371800002  | 3.4             | 6.0 | 5.0  | 500          |
| 005372000002  | 3.4             | 6.0 | 6.0  | 500          |
| 005372400002  | 3.4             | 6.0 | 8.0  | 500          |
| 005372800002  | 3.4             | 6.0 | 10.0 | 500          |
| 1110390000VR  | 3.5             | 6.0 | 5.0  | 1000         |
| 005382000002  | 3.6             | 6.0 | 2.0  | 500          |
| 005385000002  | 3.6             | 6.0 | 3.0  | 500          |
| 005386500002  | 3.6             | 6.0 | 4.0  | 500          |
| 005388000002  | 3.6             | 6.0 | 5.0  | 500          |
| 005391000002  | 3.6             | 6.0 | 7.5  | 500          |
| 005391600002  | 3.6             | 6.0 | 8.0  | 500          |
| 1111170000VR  | 3.6             | 6.0 | 10.0 | 1000         |
| 005395200002  | 3.6             | 6.0 | 12.0 | 500          |
| 1110950000VR  | 3.6             | 6.0 | 15.0 | 1000         |
| 1110960000VR  | 3.6             | 6.0 | 20.0 | 1000         |
| 1110980000VR  | 3.6             | 6.0 | 30.0 | 1000         |
| 1116000000VR  | 4.0             | 8.0 | 8.0  | 1000         |
| 1115950000VR  | 4.15            | 8.0 | 8.0  | 1000         |
| 005419000002  | 4.2             | 8.0 | 3.0  | 500          |
| 1114160000VR  | 4.2             | 8.0 | 4.0  | 1000         |
| 005422000002  | 4.2             | 8.0 | 5.0  | 1000         |

\*Manufactured in POM.

| Part Number  | Dimensions (mm) |      |      | Std Pack Qty |
|--------------|-----------------|------|------|--------------|
|              | d               | D    | H    |              |
| 1111010000VR | 4.2             | 8.0  | 6.0  | 1000         |
| 1114170000VR | 4.2             | 8.0  | 7.0  | 1000         |
| 1110580000VR | 4.2             | 8.0  | 7.5  | 1000         |
| 1111020000VR | 4.2             | 8.0  | 8.0  | 1000         |
| 1114180000VR | 4.2             | 8.0  | 9.0  | 1000         |
| 1110590000VR | 4.2             | 8.0  | 10.0 | 1000         |
| 1114190000VR | 4.2             | 8.0  | 11.0 | 1000         |
| 005429200002 | 4.2             | 8.0  | 12.0 | 500          |
| 1114200000VR | 4.2             | 8.0  | 13.0 | 1000         |
| 1114210000VR | 4.2             | 8.0  | 14.0 | 1000         |
| 1110610000VR | 4.2             | 8.0  | 15.0 | 1000         |
| 1116510000VR | 4.2             | 8.0  | 16.0 | 1000         |
| 1116520000VR | 4.2             | 8.0  | 17.0 | 1000         |
| 1116530000VR | 4.2             | 8.0  | 18.0 | 1000         |
| 1116540000VR | 4.2             | 8.0  | 19.0 | 1000         |
| 1110620000VR | 4.2             | 8.0  | 20.0 | 1000         |
| 1110630000VR | 4.2             | 8.0  | 25.0 | 1000         |
| 1110640000VR | 4.2             | 8.0  | 30.0 | 1000         |
| 1114390000VR | 5.2             | 10.0 | 4.0  | 1000         |
| 1110660000VR | 5.2             | 10.0 | 5.0  | 1000         |
| 1111200000VR | 5.2             | 10.0 | 6.0  | 1000         |
| 1114400000VR | 5.2             | 10.0 | 7.0  | 1000         |
| 1110670000VR | 5.2             | 10.0 | 7.5  | 1000         |
| 1111210000VR | 5.2             | 10.0 | 8.0  | 1000         |
| 1114410000VR | 5.2             | 10.0 | 9.0  | 1000         |
| 1110680000VR | 5.2             | 10.0 | 10.0 | 1000         |
| 1114420000VR | 5.2             | 10.0 | 11.0 | 1000         |
| 1111230000VR | 5.2             | 10.0 | 12.0 | 1000         |
| 1114430000VR | 5.2             | 10.0 | 13.0 | 1000         |
| 1114440000VR | 5.2             | 10.0 | 14.0 | 1000         |
| 1110690000VR | 5.2             | 10.0 | 15.0 | 1000         |
| 1114450000VR | 5.2             | 10.0 | 16.0 | 1000         |
| 1114460000VR | 5.2             | 10.0 | 17.0 | 1000         |
| 1114480000VR | 5.2             | 10.0 | 18.0 | 1000         |
| 1114490000VR | 5.2             | 10.0 | 19.0 | 1000         |
| 1110700000VR | 5.2             | 10.0 | 20.0 | 1000         |
| 005471000002 | 5.2             | 10.0 | 25.0 | 1000         |
| 1110720000VR | 5.2             | 10.0 | 30.0 | 1000         |
| 1140540000VR | 6.1             | 8.0  | 4.2  | 1000         |
| 1140550000VR | 6.1             | 8.0  | 6.0  | 1000         |
| 005487000002 | 6.2             | 10.0 | 3.0  | 500          |
| 1114500000VR | 6.2             | 10.0 | 4.0  | 1000         |
| 1111350000VR | 6.2             | 10.0 | 5.0  | 1000         |
| 1114510000VR | 6.2             | 10.0 | 6.0  | 1000         |
| 1114520000VR | 6.2             | 10.0 | 7.0  | 1000         |
| 1111360000VR | 6.2             | 10.0 | 7.5  | 1000         |
| 1114530000VR | 6.2             | 10.0 | 8.0  | 1000         |
| 1114540000VR | 6.2             | 10.0 | 9.0  | 1000         |
| 1110750000VR | 6.2             | 10.0 | 10.0 | 1000         |
| 1114550000VR | 6.2             | 10.0 | 11.0 | 1000         |
| 1114560000VR | 6.2             | 10.0 | 12.0 | 1000         |
| 1114570000VR | 6.2             | 10.0 | 13.0 | 1000         |
| 1114580000VR | 6.2             | 10.0 | 14.0 | 1000         |
| 1111380000VR | 6.2             | 10.0 | 15.0 | 1000         |
| 1114590000VR | 6.2             | 10.0 | 16.0 | 1000         |
| 1114600000VR | 6.2             | 10.0 | 17.0 | 1000         |
| 1114610000VR | 6.2             | 10.0 | 18.0 | 1000         |
| 1114620000VR | 6.2             | 10.0 | 19.0 | 1000         |
| 005502000002 | 6.2             | 10.0 | 20.0 | 1000         |
| 1111400000VR | 6.2             | 10.0 | 25.0 | 1000         |
| 1111410000VR | 6.2             | 10.0 | 30.0 | 1000         |
| 1115890000VR | 6.2             | 12.0 | 25.0 | 1000         |
| 1111440000VR | 6.3             | 15.0 | 7.5  | 1000         |
| 1111450000VR | 6.3             | 15.0 | 10.0 | 1000         |
| 1111460000VR | 6.3             | 15.0 | 15.0 | 1000         |
| 1110910000VR | 6.3             | 15.0 | 20.0 | 1000         |
| 1111480000VR | 6.3             | 15.0 | 25.0 | 1000         |
| 1111600000VR | 8.2             | 12.0 | 7.5  | 1000         |
| 1110890000VR | 8.2             | 12.0 | 10.0 | 1000         |
| 1111620000VR | 8.2             | 12.0 | 15.0 | 1000         |
| 1111630000VR | 8.2             | 12.0 | 20.0 | 1000         |
| 1111640000VR | 8.2             | 12.0 | 25.0 | 1000         |
| 1111650000VR | 8.2             | 12.0 | 30.0 | 1000         |
| 1001440000VR | 8.2             | 16.0 | 4.0  | 1000         |
| 1110860000VR | 8.2             | 16.0 | 5.0  | 1000         |
| 1110920000VR | 8.2             | 16.0 | 6.0  | 1000         |
| 1115030000VR | 8.2             | 16.0 | 7.0  | 1000         |

CONTINUED ON NEXT PAGE

## Spacers CONTINUED FROM PREVIOUS PAGE

### SR 1941

| Part Number  | Dimensions (mm) |      |      | Std Pack Qty |
|--------------|-----------------|------|------|--------------|
|              | d               | D    | H    |              |
| 1111530000VR | 8.2             | 16.0 | 8.0  | 1000         |
| 1115040000VR | 8.2             | 16.0 | 9.0  | 1000         |
| 1111540000VR | 8.2             | 16.0 | 10.0 | 1000         |
| 1115050000VR | 8.2             | 16.0 | 11.0 | 1000         |
| 1111550000VR | 8.2             | 16.0 | 12.0 | 1000         |
| 1115060000VR | 8.2             | 16.0 | 13.0 | 1000         |
| 1115070000VR | 8.2             | 16.0 | 14.0 | 1000         |
| 1111560000VR | 8.2             | 16.0 | 15.0 | 1000         |
| 1115080000VR | 8.2             | 16.0 | 16.0 | 1000         |
| 1115090000VR | 8.2             | 16.0 | 17.0 | 1000         |
| 1115100000VR | 8.2             | 16.0 | 18.0 | 1000         |
| 1115110000VR | 8.2             | 16.0 | 19.0 | 1000         |
| 1111570000VR | 8.2             | 16.0 | 20.0 | 1000         |
| 1117880000VR | 8.2             | 16.0 | 21.0 | 1000         |
| 1117890000VR | 8.2             | 16.0 | 22.0 | 1000         |
| 1117900000VR | 8.2             | 16.0 | 23.0 | 1000         |
| 1117910000VR | 8.2             | 16.0 | 24.0 | 1000         |
| 1117920000VR | 8.2             | 16.0 | 25.0 | 1000         |
| 1117930000VR | 8.2             | 16.0 | 26.0 | 1000         |
| 1117940000VR | 8.2             | 16.0 | 27.0 | 1000         |
| 1117950000VR | 8.2             | 16.0 | 28.0 | 1000         |
| 1117960000VR | 8.2             | 16.0 | 29.0 | 1000         |
| 1117970000VR | 8.2             | 16.0 | 30.0 | 1000         |
| 005589000002 | 8.2             | 18.0 | 3.0  | 100          |
| 005592000002 | 8.2             | 18.0 | 5.0  | 500          |
| 005595000002 | 8.2             | 17.5 | 7.5  | 100          |
| 005598000002 | 8.2             | 18.0 | 10.0 | 100          |
| 005601000002 | 8.2             | 18.0 | 15.0 | 100          |
| 005604000002 | 8.2             | 18.0 | 20.0 | 100          |
| 005607000002 | 8.2             | 18.0 | 25.0 | 100          |
| 005610000002 | 8.2             | 18.0 | 30.0 | 100          |
| 005610500002 | 8.2             | 18.0 | 35.0 | 50           |
| 005611000002 | 8.2             | 18.0 | 40.0 | 50           |
| 1116100000VR | 10.0            | 12.0 | 6.0  | 1000         |
| 1140740000VR | 10.0            | 21.0 | 17.0 | 1000         |
| 1001560000VR | 10.2            | 20.0 | 4.0  | 1000         |

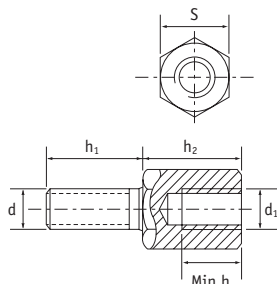
| Part Number  | Dimensions (mm) |      |      | Std Pack Qty |
|--------------|-----------------|------|------|--------------|
|              | d               | D    | H    |              |
| 1115940000VR | 10.2            | 20.0 | 4.5  | 1000         |
| 1111750000VR | 10.2            | 20.0 | 5.0  | 1000         |
| 1111760000VR | 10.2            | 20.0 | 6.0  | 1000         |
| 1115200000VR | 10.2            | 20.0 | 7.0  | 1000         |
| 1115210000VR | 10.2            | 20.0 | 8.0  | 1000         |
| 1115220000VR | 10.2            | 20.0 | 9.0  | 1000         |
| 1111780000VR | 10.2            | 20.0 | 10.0 | 1000         |
| 1115230000VR | 10.2            | 20.0 | 11.0 | 1000         |
| 1111790000VR | 10.2            | 20.0 | 12.0 | 1000         |
| 1115240000VR | 10.2            | 20.0 | 13.0 | 1000         |
| 1115250000VR | 10.2            | 20.0 | 14.0 | 1000         |
| 1111800000VR | 10.2            | 20.0 | 15.0 | 1000         |
| 1115260000VR | 10.2            | 20.0 | 16.0 | 1000         |
| 1115270000VR | 10.2            | 20.0 | 17.0 | 1000         |
| 1115280000VR | 10.2            | 20.0 | 18.0 | 1000         |
| 1115290000VR | 10.2            | 20.0 | 19.0 | 1000         |
| 1111810000VR | 10.2            | 20.0 | 20.0 | 1000         |
| 1118440000VR | 10.2            | 20.0 | 21.0 | 1000         |
| 1118450000VR | 10.2            | 20.0 | 22.0 | 1000         |
| 1118460000VR | 10.2            | 20.0 | 23.0 | 1000         |
| 1118470000VR | 10.2            | 20.0 | 24.0 | 1000         |
| 1118480000VR | 10.2            | 20.0 | 25.0 | 500          |
| 1118490000VR | 10.2            | 20.0 | 26.0 | 1000         |
| 1118500000VR | 10.2            | 20.0 | 27.0 | 1000         |
| 1118510000VR | 10.2            | 20.0 | 28.0 | 1000         |
| 1118520000VR | 10.2            | 20.0 | 29.0 | 1000         |
| 1118530000VR | 10.2            | 20.0 | 30.0 | 1000         |
| 005623000002 | 10.3            | 15.0 | 3.0  | 250          |
| 005626000002 | 10.3            | 15.0 | 5.0  | 250          |
| 005629000002 | 10.3            | 15.0 | 7.5  | 250          |
| 005632000002 | 10.3            | 15.0 | 10.0 | 250          |
| 005635000002 | 10.3            | 15.0 | 15.0 | 250          |
| 005638000002 | 10.3            | 15.0 | 20.0 | 100          |
| 005641000002 | 10.3            | 15.0 | 25.0 | 100          |
| 005644000002 | 10.3            | 15.0 | 30.0 | 100          |
| 005646000002 | 10.3            | 15.0 | 40.0 | 100          |
| 005660000002 | 10.6            | 22.0 | 5.0  | 100          |
| 005663000002 | 10.6            | 22.0 | 10.0 | 50           |

## Sub-D Supports

### SR 2703

Steel or Brass

- Screw-in design
- Used for attaching D Connectors

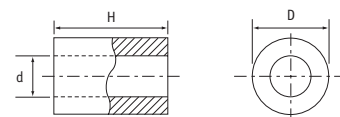


| Part Number  |              | Dimensions (mm) |      |        |     |     |     | Std Pack Qty |
|--------------|--------------|-----------------|------|--------|-----|-----|-----|--------------|
|              |              | d               | d1   | Min. h | h1  | h2  | S   |              |
| Steel        | Brass        |                 |      |        |     |     |     |              |
| 308101041152 | 308101040050 | M3              | M3   | 3.0    | 6.0 | 5.0 | 5.0 | 100          |
| 308102041152 | 308102040050 | M3              | 4 NC | 3.0    | 6.0 | 5.0 | 5.0 | 100          |
| 308104041152 | 308104040050 | 4 NC            | 4 NC | 3.0    | 6.0 | 5.0 | 5.0 | 100          |
| 308201041152 | 308201040050 | M3              | M3   | 3.0    | 8.0 | 5.0 | 5.0 | 100          |
| 308202041152 | 308202040050 | M3              | 4 NC | 3.0    | 8.0 | 5.0 | 5.0 | 100          |
| 308204041152 | 308204040050 | 4 NC            | 4 NC | 3.0    | 8.0 | 5.0 | 5.0 | 100          |

## Round Metallic Supports

### SR 2704

Brass



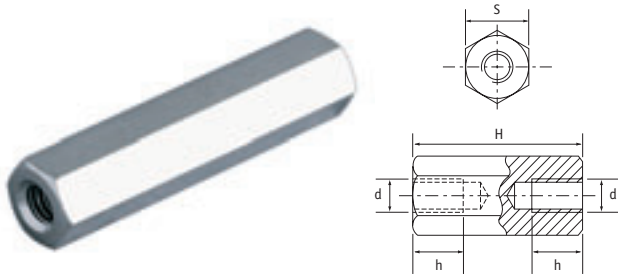
| Part Number  | Dimensions (mm) |     |      | Std Pack Qty |
|--------------|-----------------|-----|------|--------------|
|              | d               | D   | H    |              |
| 311320240050 | 3.2             | 6.0 | 2.0  | 250          |
| 311320340050 | 3.2             | 6.0 | 3.0  | 250          |
| 311320440050 | 3.2             | 6.0 | 4.0  | 250          |
| 311320540050 | 3.2             | 6.0 | 5.0  | 250          |
| 311320640050 | 3.2             | 6.0 | 6.0  | 250          |
| 311320740050 | 3.2             | 6.0 | 7.0  | 250          |
| 311320840050 | 3.2             | 6.0 | 8.0  | 250          |
| 311321040050 | 3.2             | 6.0 | 10.0 | 100          |
| 311321240050 | 3.2             | 6.0 | 12.0 | 100          |
| 311321540050 | 3.2             | 6.0 | 15.0 | 100          |
| 311430340050 | 4.3             | 8.0 | 3.0  | 250          |
| 311430440050 | 4.3             | 8.0 | 4.0  | 250          |
| 311430540050 | 4.3             | 8.0 | 5.0  | 250          |
| 311430640050 | 4.3             | 8.0 | 6.0  | 100          |
| 311430840050 | 4.3             | 8.0 | 8.0  | 100          |
| 311431040050 | 4.3             | 8.0 | 10.0 | 100          |
| 311431240050 | 4.3             | 8.0 | 12.0 | 100          |
| 311431540050 | 4.3             | 8.0 | 15.0 | 100          |
| 311432040050 | 4.3             | 8.0 | 20.0 | 100          |

## Hexagonal Female/Female Supports

SR 2701

Nickel Plated Brass, Zinc Plated Steel or Stainless Steel

- Screw-in design



| Part Number         |                 |                   | Dimensions (mm) |      |      |      | Std Pack Qty |
|---------------------|-----------------|-------------------|-----------------|------|------|------|--------------|
| Nickel Plated Brass | Stainless Steel | Zinc Plated Steel | d               | H    | h    | S    |              |
| 301105040050        | -               | -                 | M2              | 5.0  | 2.5  | 4.0  | 100          |
| 301108040050        | -               | -                 | M2              | 8.0  | 4.0  | 4.0  | 100          |
| 301110040050        | -               | -                 | M2              | 10.0 | 5.0  | 4.0  | 100          |
| 301112040050        | -               | -                 | M2              | 12.0 | 6.0  | 4.0  | 100          |
| 301115040050        | -               | -                 | M2              | 15.0 | 6.0  | 4.0  | 100          |
| 301205040050        | -               | -                 | M2.5            | 5.0  | 2.5  | 5.0  | 100          |
| 301208040050        | -               | -                 | M2.5            | 8.0  | 4.0  | 5.0  | 100          |
| 301210040050        | -               | -                 | M2.5            | 10.0 | 5.0  | 5.0  | 100          |
| 301212040050        | -               | -                 | M2.5            | 12.0 | 6.0  | 5.0  | 100          |
| 301215040050        | -               | -                 | M2.5            | 15.0 | 7.5  | 5.0  | 100          |
| 301305040050        | -               | -                 | M3              | 5.0  | 2.5  | 5.0  | 100          |
| 301308040050        | -               | -                 | M3              | 8.0  | 4.0  | 5.0  | 100          |
| 301310040050        | -               | -                 | M3              | 10.0 | 5.0  | 5.0  | 100          |
| 301312040050        | -               | -                 | M3              | 12.0 | 6.0  | 5.0  | 100          |
| 301315040050        | -               | -                 | M3              | 15.0 | 7.5  | 5.0  | 100          |
| 301318040050        | -               | -                 | M3              | 18.0 | 9.0  | 5.0  | 100          |
| 301320040050        | -               | -                 | M3              | 20.0 | 9.0  | 5.0  | 100          |
| 301325040050        | -               | -                 | M3              | 25.0 | 10.0 | 5.0  | 100          |
| 301330040050        | -               | -                 | M3              | 30.0 | 10.0 | 5.0  | 100          |
| 301305140050        | -               | -                 | M3              | 5.0  | 2.5  | 5.5  | 100          |
| 301308140050        | -               | -                 | M3              | 8.0  | 4.0  | 5.5  | 100          |
| 301310140050        | 301310141556*   | -                 | M3              | 10.0 | 5.0  | 5.5  | 100          |
| 301312140050        | -               | -                 | M3              | 12.0 | 6.0  | 5.5  | 100          |
| 301315140050        | 301315141556*   | -                 | M3              | 15.0 | 7.5  | 5.5  | 100          |
| 301320140050        | 301320141556*   | -                 | M3              | 20.0 | 9.0  | 5.5  | 100          |
| 301325140050        | 301325141556**  | -                 | M3              | 25.0 | 10.0 | 5.5  | 100          |
| 301410040050        | -               | 301410041152      | M4              | 10.0 | 5.0  | 7.0  | 100          |
| 301412040050        | -               | -                 | M4              | 12.0 | 6.0  | 7.0  | 100          |
| 301415040050        | 301415041556*   | 301415041152      | M4              | 15.0 | 7.5  | 7.0  | 100          |
| 301420040050        | 301420041556*   | 301420041152      | M4              | 20.0 | 10.0 | 7.0  | 100          |
| 301425040050        | 301425041556**  | 301425041152      | M4              | 25.0 | 10.0 | 7.0  | 100          |
| -                   | -               | 301430041152      | M4              | 30.0 | 10.0 | 7.0  | 50           |
| -                   | -               | 301440041152      | M4              | 40.0 | 10.0 | 7.0  | 50           |
| 301515040050        | 301515041556*   | 301515041152      | M5              | 15.0 | 7.5  | 8.0  | 100          |
| 301520040050        | 301520041556    | 301520041152      | M5              | 15.0 | 10.0 | 8.0  | 50           |
| 301525040050        | 301525041556    | 301525041152      | M5              | 25.0 | 10.0 | 8.0  | 50           |
| 301530040050        | 301530041556    | 301530041152      | M5              | 30.0 | 10.0 | 8.0  | 50           |
| -                   | 301620041556    | 301620041152      | M6              | 20.0 | 10.0 | 10.0 | 50           |
| -                   | 301625041556    | 301625041152      | M6              | 25.0 | 12.0 | 10.0 | 50           |
| -                   | 301630041556    | 301630041152      | M6              | 30.0 | 12.0 | 10.0 | 50           |
| -                   | -               | 301640041152      | M6              | 40.0 | 12.0 | 10.0 | 25           |
| -                   | -               | 301650041152      | M6              | 50.0 | 12.0 | 10.0 | 25           |

\* Stainless steel pack quantity = 50pcs

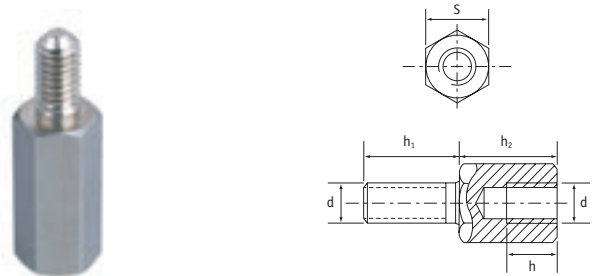
\*\* Stainless steel pack quantity = 25pcs

## Hexagonal Male/Female Supports

SR 2702

Nickel Plated Brass, Zinc Plated Steel or Stainless Steel

- Screw-in design



| Part Number         |                 |                   | Dimensions (mm) |      |      |      |      | Std Pack Qty |
|---------------------|-----------------|-------------------|-----------------|------|------|------|------|--------------|
| Nickel Plated Brass | Stainless Steel | Zinc Plated Steel | d (mm)          | h    | h1   | h2   | S    |              |
| 304105040050        | -               | -                 | M2              | 3.0  | 6.0  | 5.0  | 4.0  | 100          |
| 304108040050        | -               | -                 | M2              | 4.0  | 6.0  | 8.0  | 4.0  | 100          |
| 304110040050        | -               | -                 | M2              | 6.0  | 6.0  | 10.0 | 4.0  | 100          |
| 304112040050        | -               | -                 | M2              | 6.0  | 6.0  | 12.0 | 4.0  | 100          |
| 304115040050        | -               | -                 | M2              | 6.0  | 6.0  | 15.0 | 4.0  | 100          |
| 304205040050        | -               | -                 | M2.5            | 3.0  | 6.0  | 5.0  | 5.0  | 100          |
| 304208040050        | -               | -                 | M2.5            | 4.0  | 6.0  | 8.0  | 5.0  | 100          |
| 304210040050        | -               | -                 | M2.5            | 6.0  | 6.0  | 10.0 | 5.0  | 100          |
| 304212040050        | -               | -                 | M2.5            | 6.0  | 6.0  | 12.0 | 5.0  | 100          |
| 304215040050        | -               | -                 | M2.5            | 6.0  | 6.0  | 15.0 | 5.0  | 100          |
| 304305040050        | -               | -                 | M3              | 3.0  | 8.0  | 5.0  | 5.0  | 100          |
| 304308040050        | -               | -                 | M3              | 4.0  | 8.0  | 8.0  | 5.0  | 100          |
| 304310040050        | -               | -                 | M3              | 6.0  | 8.0  | 10.0 | 5.0  | 100          |
| 304312040050        | -               | -                 | M3              | 8.0  | 8.0  | 12.0 | 5.0  | 100          |
| 304315040050        | -               | -                 | M3              | 8.0  | 8.0  | 15.0 | 5.0  | 100          |
| 304318040050        | -               | -                 | M3              | 8.0  | 8.0  | 18.0 | 5.0  | 100          |
| 304320040050        | -               | -                 | M3              | 8.0  | 8.0  | 20.0 | 5.0  | 100          |
| 304325040050        | -               | -                 | M3              | 10.0 | 10.0 | 25.0 | 5.0  | 100          |
| 304330040050        | -               | -                 | M3              | 10.0 | 10.0 | 30.0 | 5.0  | 100          |
| 304305240050        | -               | -                 | M3              | 3.0  | 6.0  | 5.0  | 5.5  | 100          |
| 304308240050        | -               | -                 | M3              | 4.0  | 6.0  | 8.0  | 5.5  | 100          |
| 304310240050        | 304310141556*   | -                 | M3              | 6.0  | 6.0  | 10.0 | 5.5  | 100          |
| 304312240050        | -               | -                 | M3              | 6.0  | 6.0  | 12.0 | 5.5  | 100          |
| 304315240050        | 304315141556*   | -                 | M3              | 6.0  | 6.0  | 15.0 | 5.5  | 100          |
| 304320240050        | 304320141556*   | -                 | M3              | 6.0  | 6.0  | 20.0 | 5.5  | 100          |
| 304325240050        | 304325141556**  | -                 | M3              | 6.0  | 6.0  | 25.0 | 5.5  | 100          |
| 304408040050        | -               | -                 | M4              | 4.0  | 8.0  | 8.0  | 7.0  | 100          |
| 304410040050        | -               | 304410041152      | M4              | 6.0  | 8.0  | 10.0 | 7.0  | 50           |
| 304412040050        | -               | -                 | M4              | 8.0  | 8.0  | 12.0 | 7.0  | 100          |
| 304415040050        | 304415041556*   | 304415041152      | M4              | 8.0  | 8.0  | 15.0 | 7.0  | 100          |
| 304420040050        | 304420041556*   | 304420041152      | M4              | 8.0  | 8.0  | 20.0 | 7.0  | 100          |
| 304425040050        | 304425041556**  | 304425041152      | M4              | 10.0 | 10.0 | 25.0 | 7.0  | 50           |
| -                   | 304430041556**  | 304430041152      | M4              | 10.0 | 10.0 | 30.0 | 7.0  | 50           |
| -                   | -               | 304435041152      | M4              | 10.0 | 10.0 | 35.0 | 7.0  | 50           |
| -                   | -               | 304440041152      | M4              | 10.0 | 10.0 | 40.0 | 7.0  | 50           |
| 304510040050        | -               | 304510041152      | M5              | 8.0  | 8.0  | 10.0 | 8.0  | 50           |
| 304515040050        | 304515041556    | 304515041152      | M5              | 8.0  | 8.0  | 15.0 | 8.0  | 50           |
| 304520040050        | 304520041556    | 304520041152      | M5              | 8.0  | 8.0  | 20.0 | 8.0  | 50           |
| 304525040050        | 304525041556    | 304525041152      | M5              | 10.0 | 10.0 | 25.0 | 8.0  | 50           |
| -                   | -               | 304530041152      | M5              | 10.0 | 10.0 | 30.0 | 8.0  | 50           |
| -                   | -               | 304540041152      | M5              | 10.0 | 10.0 | 40.0 | 8.0  | 25           |
| -                   | 304610341556    | 304610341152      | M6              | 12.0 | 12.0 | 10.0 | 10.0 | 50           |
| -                   | 304615341556    | 304615341152      | M6              | 12.0 | 12.0 | 15.0 | 10.0 | 50           |
| -                   | 304620341556    | 304620341152      | M6              | 12.0 | 12.0 | 20.0 | 10.0 | 50           |
| -                   | 304625341556    | -                 | M6              | 13.0 | 12.0 | 25.0 | 10.0 | 50           |
| -                   | -               | 304630341152      | M6              | 13.0 | 12.0 | 30.0 | 10.0 | 25           |
| -                   | -               | 304640341152      | M6              | 13.0 | 12.0 | 40.0 | 10.0 | 25           |
| -                   | -               | 304650341152      | M6              | 13.0 | 12.0 | 50.0 | 10.0 | 25           |

\* Stainless steel pack quantity = 50pcs

\*\* Stainless steel pack quantity = 25pcs